

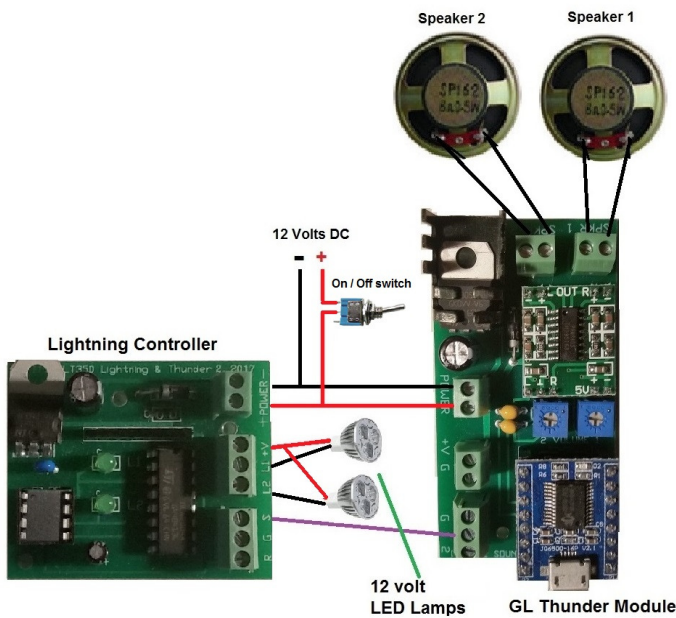
Instructions & information for LT350 Lightning & Thunder System & Mine

The LT350 is a lightning and thunder system or a Mine scenario system specially programmed to provide the lightning just before the GL module sounds thunder, or light flashes just before the mine explosion sound. These systems are easy to use and will provide exciting reality to your hobby layout. For lightning and thunder, you can have Lightning and Thunder occurs at 2 different locations on you layout. **Warranty 90 days**

Power requirements: 10 to 14 volts DC from a source that can supply at least 800ma. You need to observe the polarity when connecting up the power. However, you will not damage the modules if you connect it backwards.

....CAUTION!! DO NOT STARE DIRECTLY INTO THE LED LAMP AS IT IS EXTREMELY BRIGHT!!....

Lightning and Thunder Scenario instructions



When power is turned on, the 2 LED's on the Lightning Controller board will be on and the scenario will have started. In a short time, LED 1, and external LED lamp 1 will flash for about 2 seconds, and shortly after you will hear thunder in speaker one. Then scenario will switch to LED 2, external LED lamp 2 and Speaker 2 back and forth based on the programmed scenario.

You should place your LED lamps and speakers at different areas in the room.

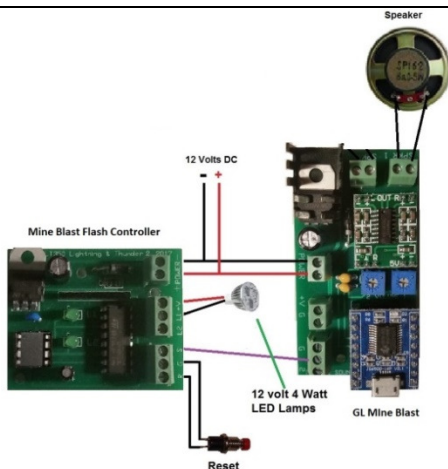
You can adjust the volume controls on the GL board.

At the end of the scenario which may include a period of silence, the scenario will loop back to the beginning and start over.

To stop the lightning and thunder scenario you will need to turn the power off.

LED Lamp wires and speaker wires can be extended as required. (LED Lamps polarity does not matter)

Mine and Haunted House Scenario instructions



When power is turned on, the Mine Scenario will start to play automatically 1 time. The LED will flash during each explosion.

For the Mine scenario to play on demand, press the Reset button to have it play again. The total scenario has to play and complete before pressing the reset button again or the scenario will play out of sync with the light flashes.

LT350-1 Lightning Controller
GL Thunder Module
MSRP \$89.95

LT350-2 Lightning Controller,
GL Thunder Module & 2 LED Lamps
MSRP \$109.95

LT350-3 Lightning Controller,
GL Thunder Module, 2 LED Lamps, and 2
2.5in Speakers **MSRP \$119.95**

LT350 Mine Lightning Controller GL Sound
Module 1 LED Lamp and 1 2.5in Speaker
MSRP \$104.95

LT350 Mine Lightning Controller GL Sound
Module 1 LED Lamp and 1 2.5in Speaker
MSRP \$104.95