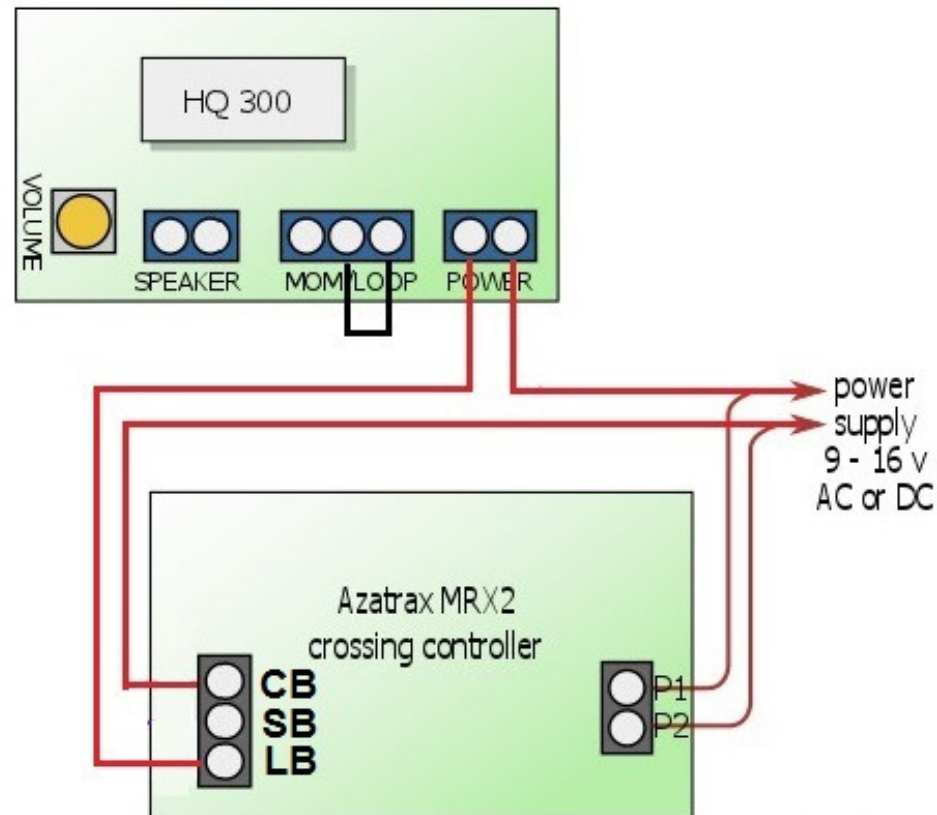


Instructions for connecting the Azatrax MRX2 Crossing Controller to the ITT Products HQ300 Grade Bell

7/13/14



Connect to CB & SB for "short bell" (bell sounds only while train approaches the crossing).

Connect to CB & LB for "long bell" (bell sounds continuously while signals are active).