



## ITT Products

PO Box 5042 West Hills, CA 91308

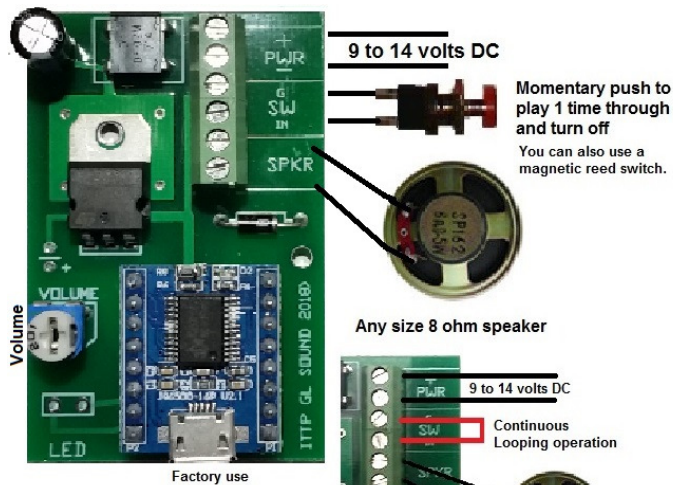
Phone: 818-926-1143 Email: [george@ittproducts.com](mailto:george@ittproducts.com) Website: [www.ittproducts.com](http://www.ittproducts.com)

### GL Sound Module Instructions for single sound version 2018

(Use with all scales trackside, in buildings, under layouts, or onboard trains)

**ESD means Electro Static Discharge.** This is what occurs when you walk across a carpet, touch a piece of metal and get a shock. Before touching the circuit board, you should touch something that is grounded to discharge any static electricity you may be storing.

#### GL Sound Module Basic Instructions



#### Specifications

Input Voltage: 9 to 14 volts DC

**Do not use train controller transformers for power.**

Max Current: 200ma at full volume

Amplifier Power: output max, 2 watts

Input Requirements: Isolated switch closure.

#### Activating Sound Options

**You can momentarily** activate sound to play 1 time and turn off by using a push button, magnetic switch, or isolated relay contacts.

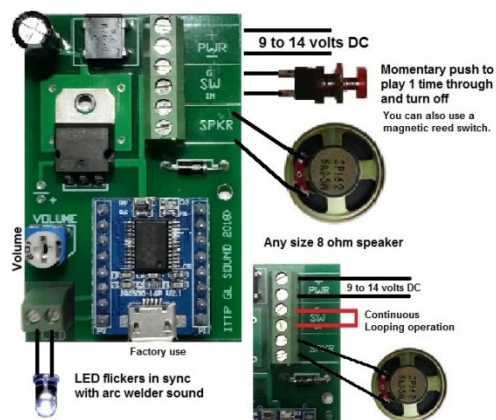
**If the switch input is continuously activated** sound scenario will play continuous looping. At the end of the loop there is a slight delay before starting again. In continuous looping, sound will play when power is turned on.

**Some soldering** to switches and speaker will be required. We recommend using 22 to 24 gauge solid insulated wire if possible. If you have to use stranded wire, you should twist and tin the wire ends. A good inexpensive source of solid 22ga wire is at: [www.jameco.com](http://www.jameco.com)

**Do not connect any voltage to the SW terminals.**

**For outdoor use,** GL module should be protected from the elements and properly weather proofed. Avoid exposure to moisture. Do not use double back tape as it could cause static electricity or could affect board operation. If possible use the tiny mounting hole with a tiny screw, or you can make a nonmetallic bracket. Each module requires its own 8 ohm speaker. You can use a common power source to power more than one module if it can supply enough current. All other connections such as switches and speakers cannot be shared with any other modules.

#### GL-ARC Arc Welder Module



#### GL300 to Grade Crossing Pro

From: Logic Rail Technologies

